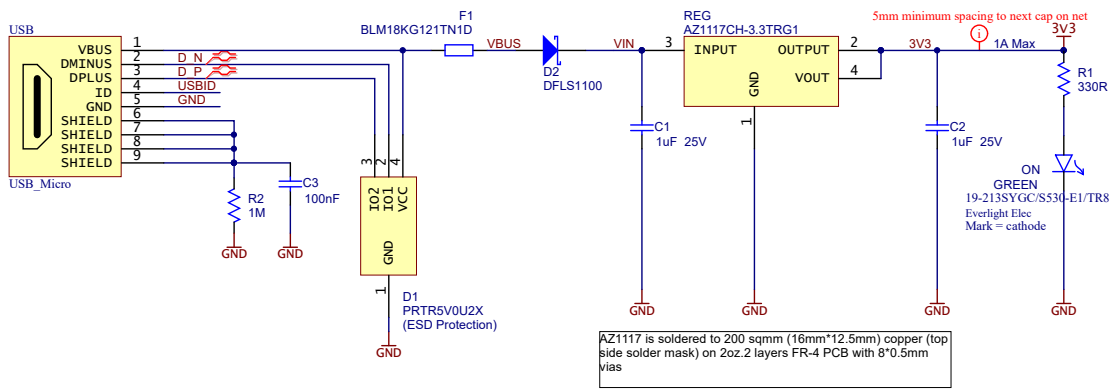
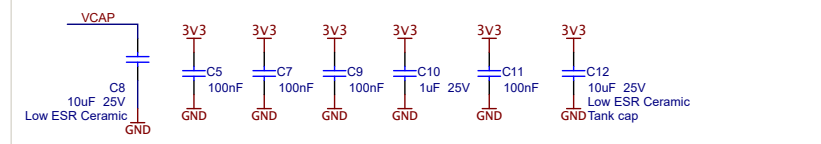


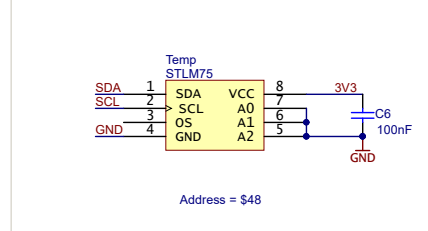
### USB port and Power In



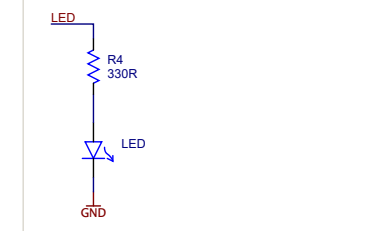
### Decoupling caps



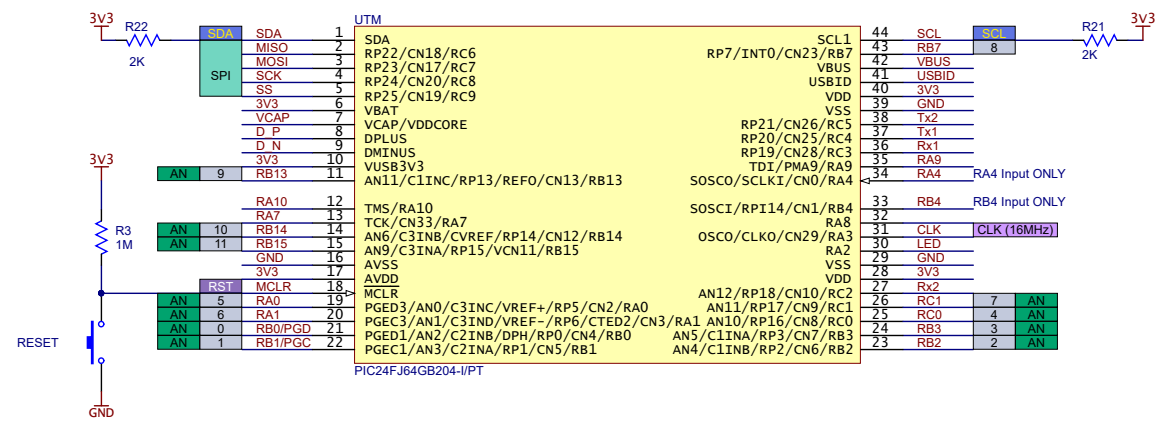
### Temperature Sensor



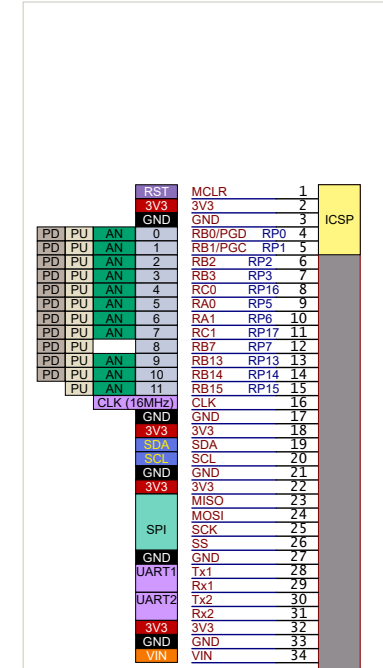
### Status LED (Amber)



### uC



### GPIO Header



### LED Array

