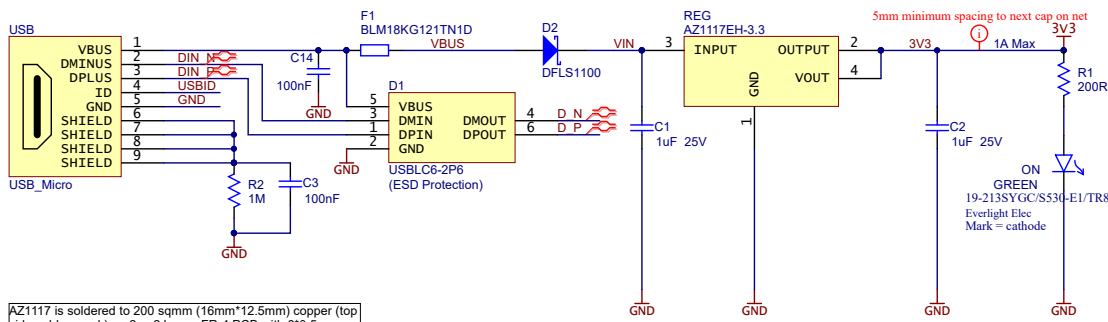
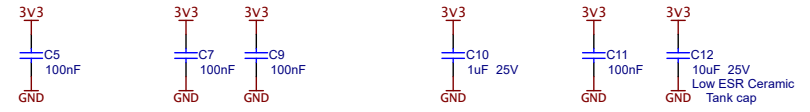


USB port and Power In

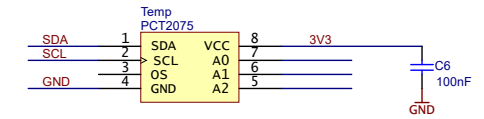


AZ1117 is soldered to 200 sqmm (16mm*12.5mm) copper (top side solder mask) on 2oz.2 layers FR-4 PCB with 8*0.5mm vias

Decoupling caps

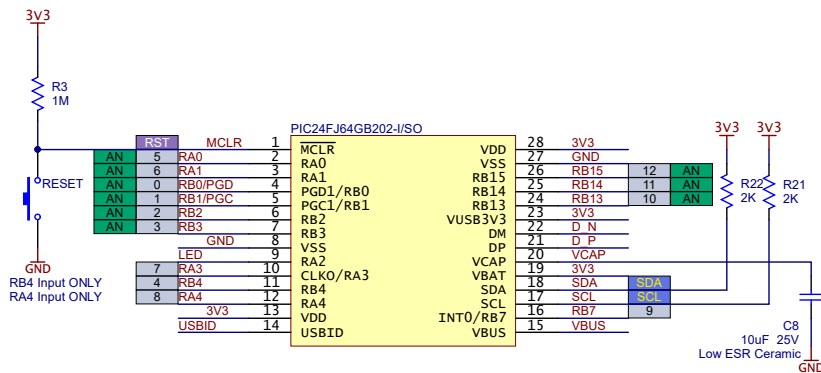


Temperature Sensor

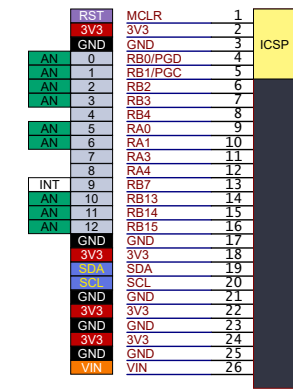


Address inputs floating gives address = \$4f

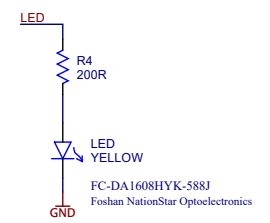
uC



GPIO Header



Status LED (Amber)



LED Array

