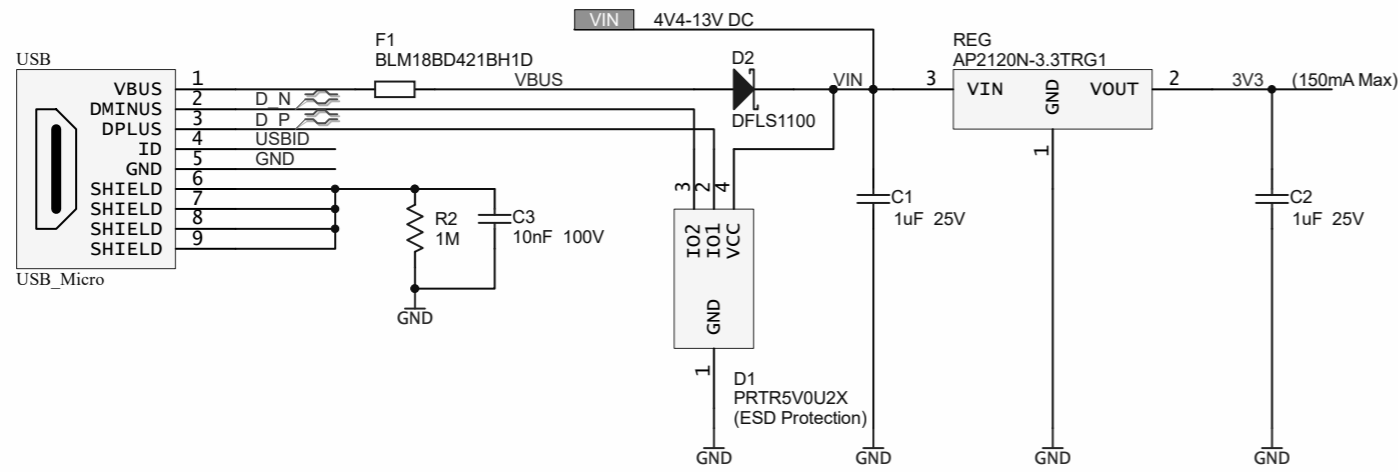
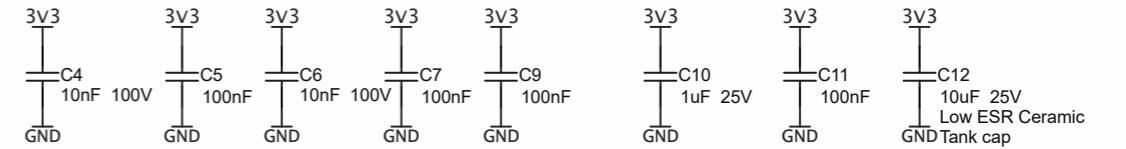


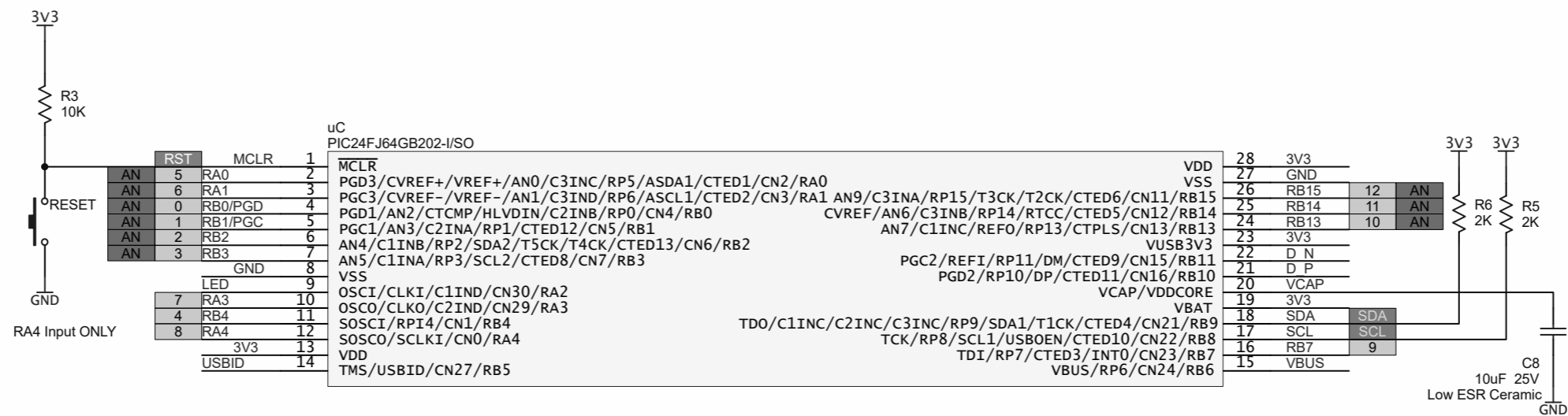
USB port and Power In



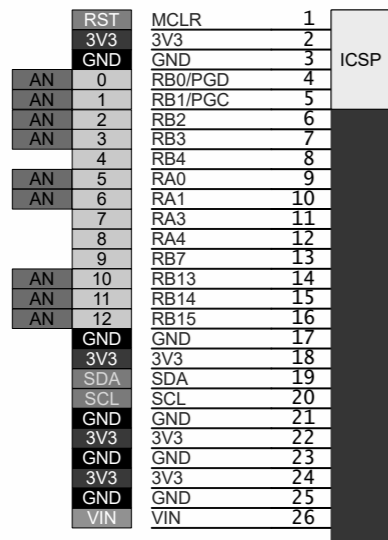
Decoupling caps



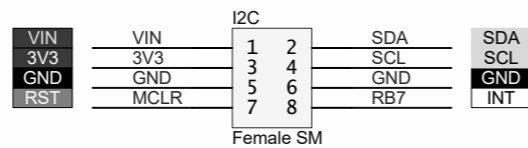
uC



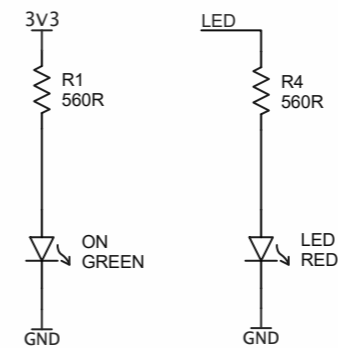
GPIO Header



I2C



LEDs



Title		
SCAMP		
Size	Number	Revision
A3	1901	B
Date:	11/11/2019	Sheet 1 of 1
File:	Y:\Designs\Scamp\Scamp1901.Dwg	Drawn By: schdoc