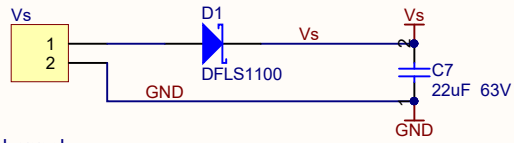


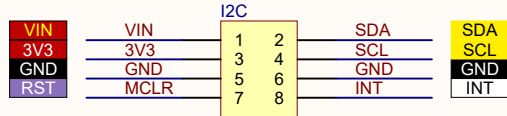
### Power In

5V < Vs < 60V

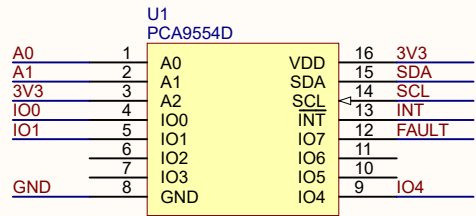


Current limit = 1A max  
Load current = 450 mA per channel

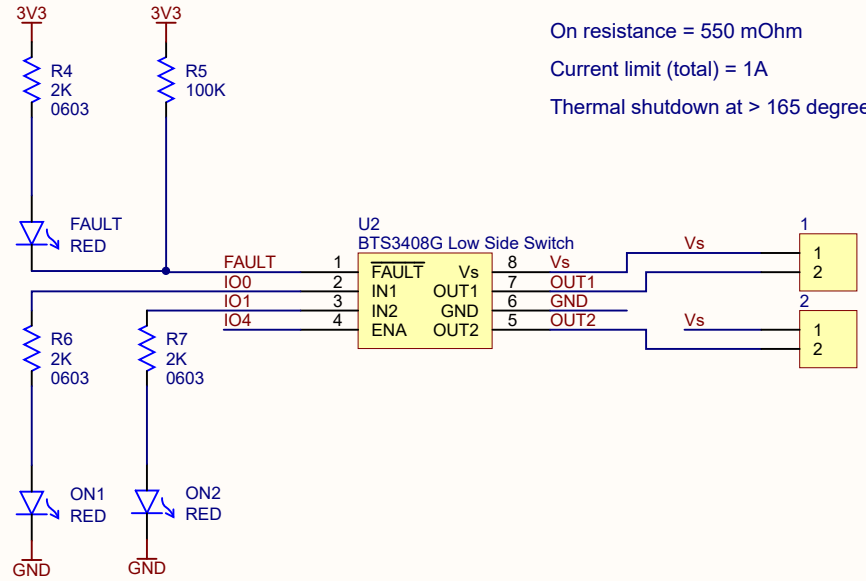
### I2C



### Port Expander

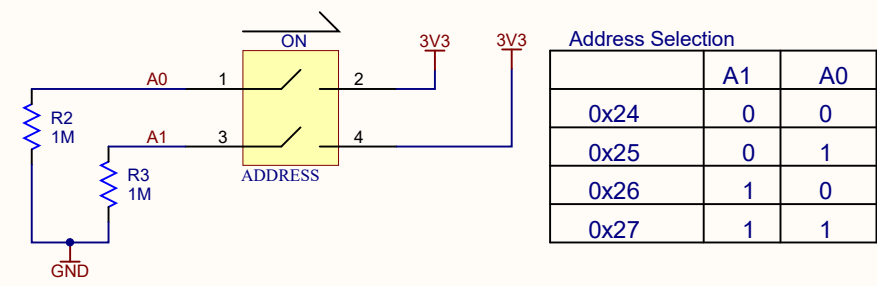


### Low Side Switch



LSS inputs have internal pull-downs  
Default state is off  
On resistance = 550 mOhm  
Current limit (total) = 1A  
Thermal shutdown at > 165 degrees C

### I2C Address Selection



Address Selection		
	A1	A0
0x24	0	0
0x25	0	1
0x26	1	0
0x27	1	1

Title			<b>Lowside SW Module</b>	
Size	Number	Revision		
A4	19042			<b>A</b>
Date:	28/04/2019	Sheet 1 of	1	
File:	F:\Designs\Module_LowSide.SchDoc	Drawn By:	JC	